

This drawing is the property of Svenska Expander AB. Protected in accordance with prevailing law.

LATEST REVISION

Torque

Left: 350 Nm (258 Lbft)

Right: 350 Nm (258 Lbft)

Rev. No:

Revision Note:

A

Auto revision (STD A)

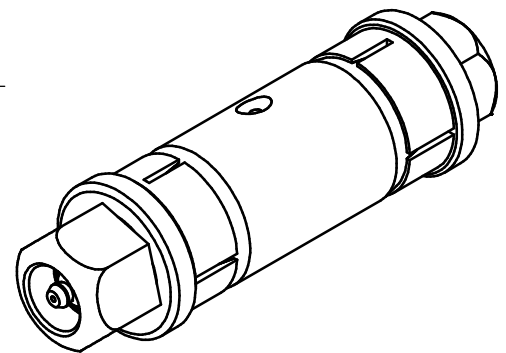
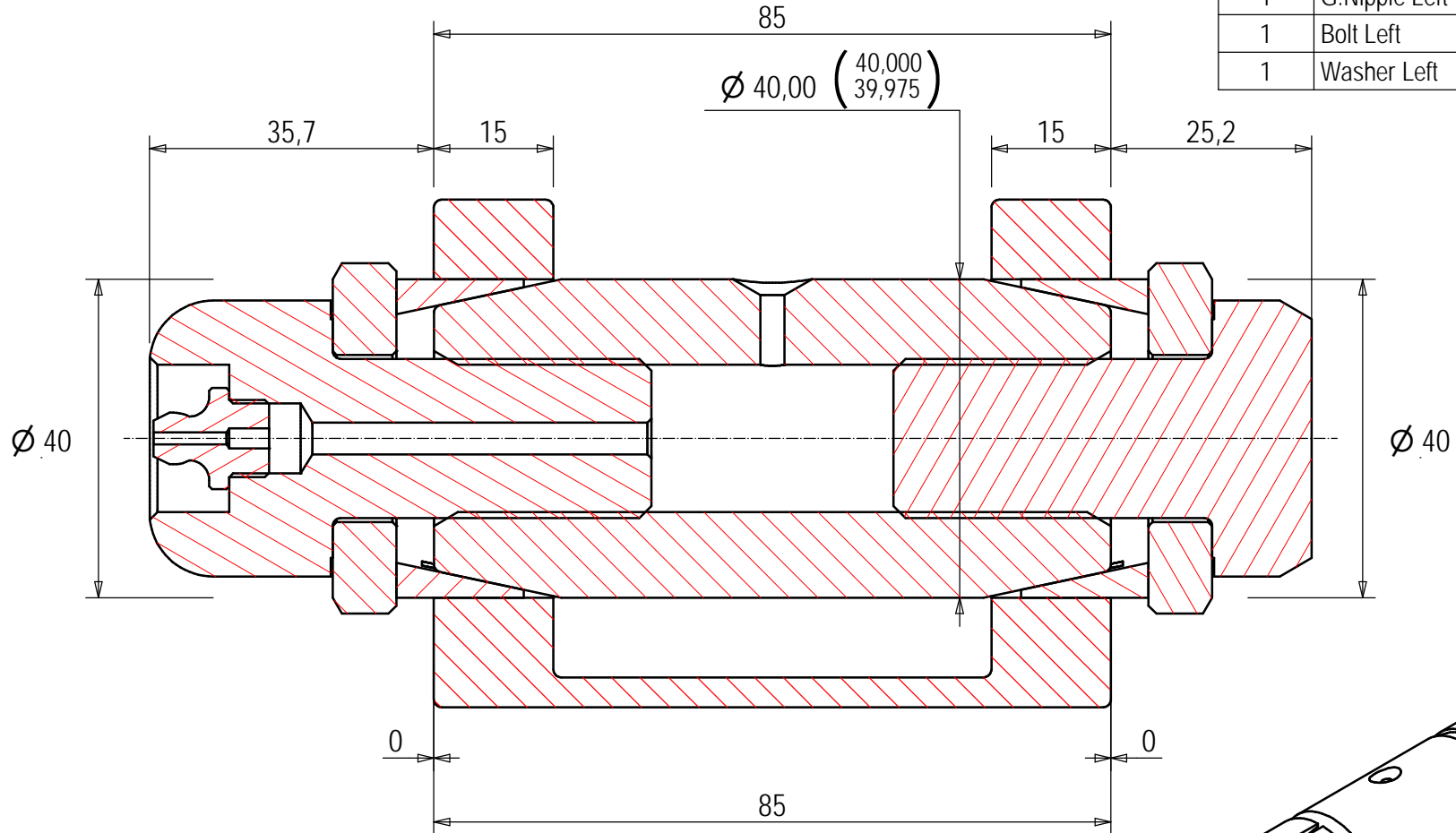
Date:

2004-11-26

Signature:

anders

Qty	Name	Part No.
1	Sleeve Right	370026
1	Sleeve Left	370026
1	Axle	453064
1	Bolt Right	207002
1	Washer Right	100105
1	G.Nipple Left	204000
1	Bolt Left	207001
1	Washer Left	100105



M_Totalinf_2

Drawing name:

603064



Issued by

FB

Approved by

AC

Date:

2001-10-15