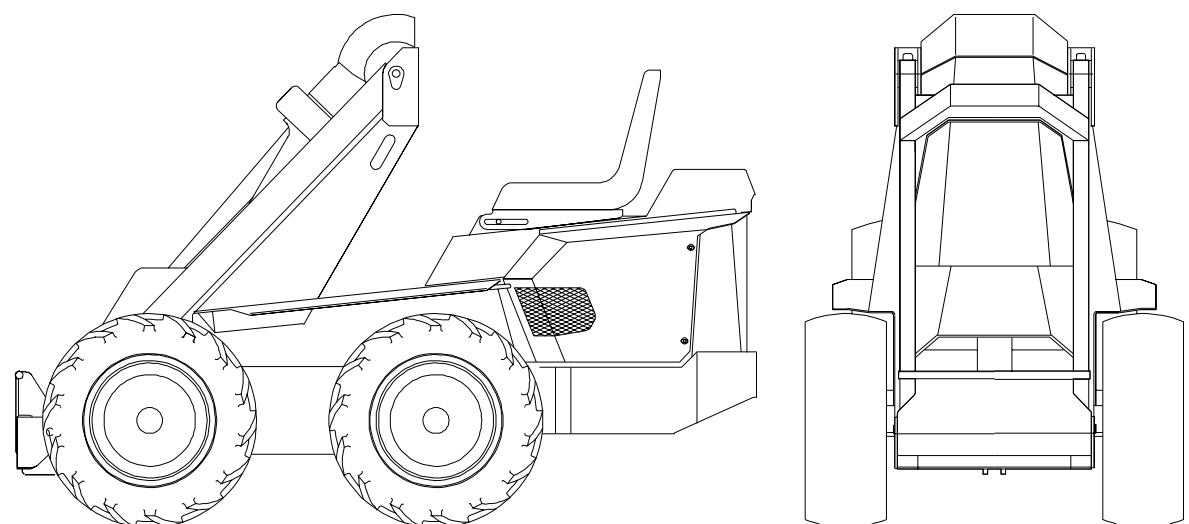


Avant 320 Diesel

Avant 320 Plus

Parts list



AVANT
AVANT TECNO OY

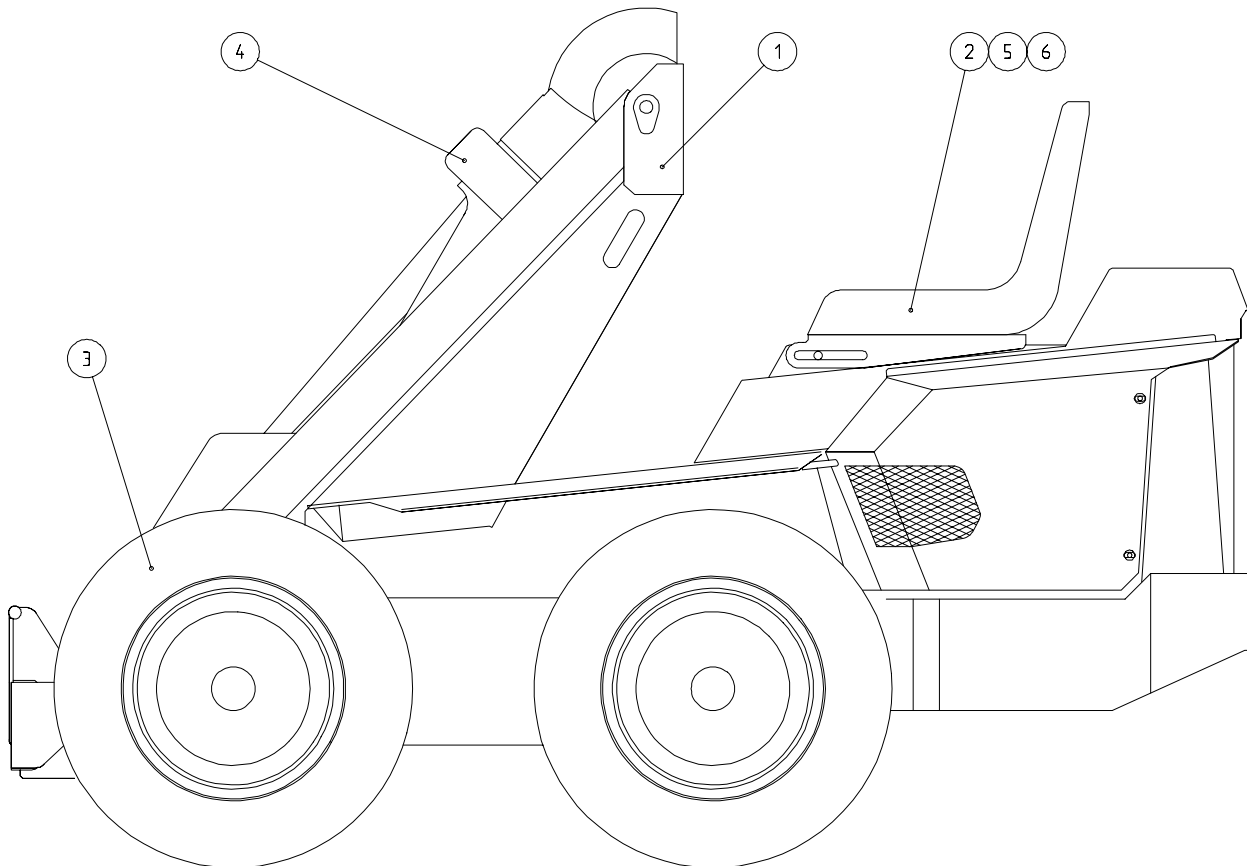
Ylötie 1,
Tel. int.
Telefax
E-mail
Web

FIN-33470 YLÖJÄRVI, FINLAND
+358 3 34 78 800
+358 3 34 85 511
salesl@avantteco.com
www.avantteco.com

TABLE OF CONTENTS

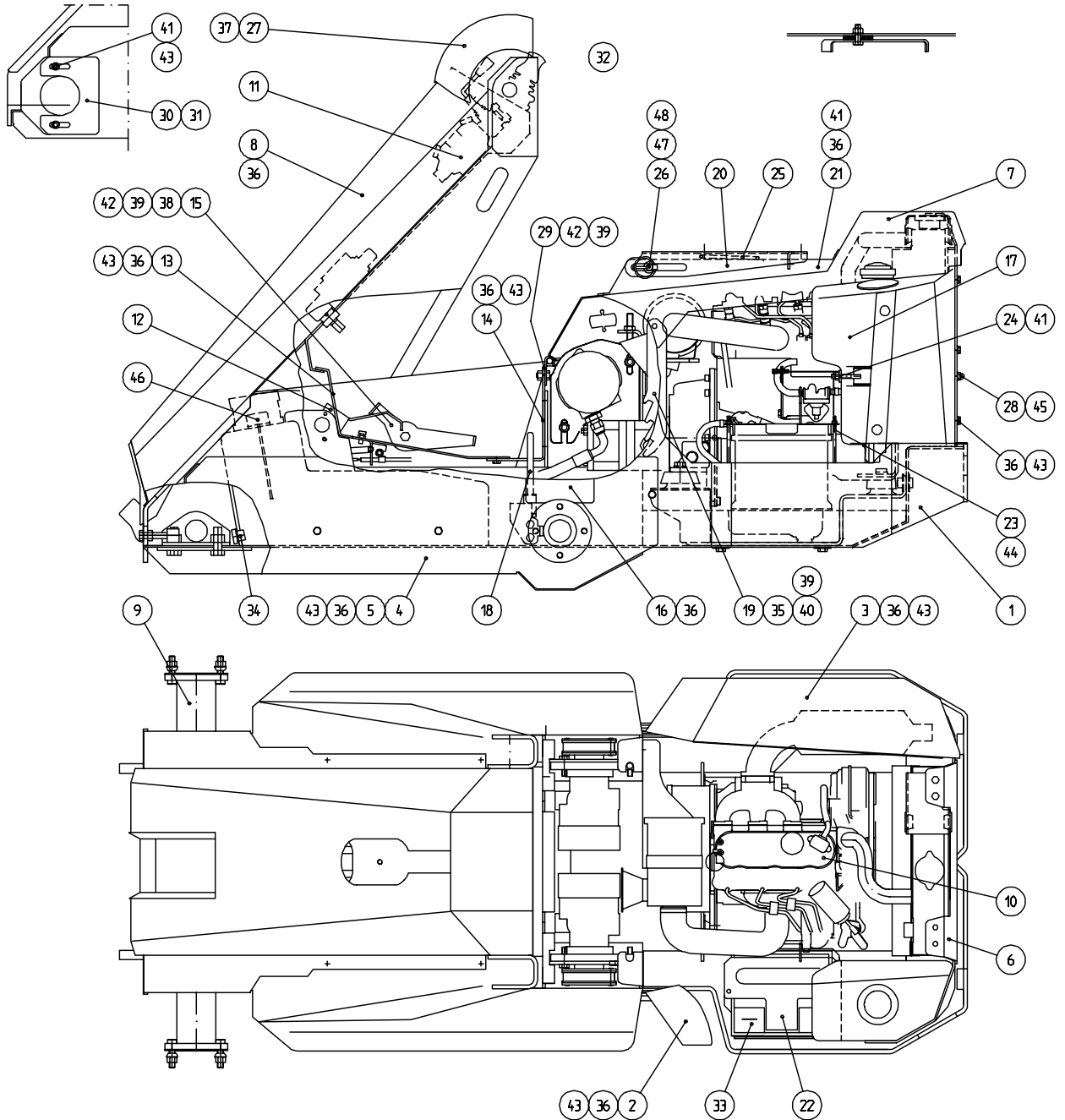
320 DIESEL / 320 PLUS, ASSEMBLY A2685	3
FRAME, ASSEMBLY / 320 DIESEL / 320 PLUS A2750	4,5
ENGINE, ASSEMBLY, 320 DIESEL / 320 PLUS A712	6,7
LOADER BOOM A31832	8
TRANSMISSION, DRIVE, 320 PLUS / WHITE A31510	9
TRANSMISSION, DRIVE, 320 DIESEL / ARS200 A31599	10
FOOT THROTTLE A42530	11
HYDRAULICS, 320 DIESEL / 320 PLUS	12
PARKING BRAKE A31116	15

320 DIESEL / 320 PLUS ASSEMBLY A2685



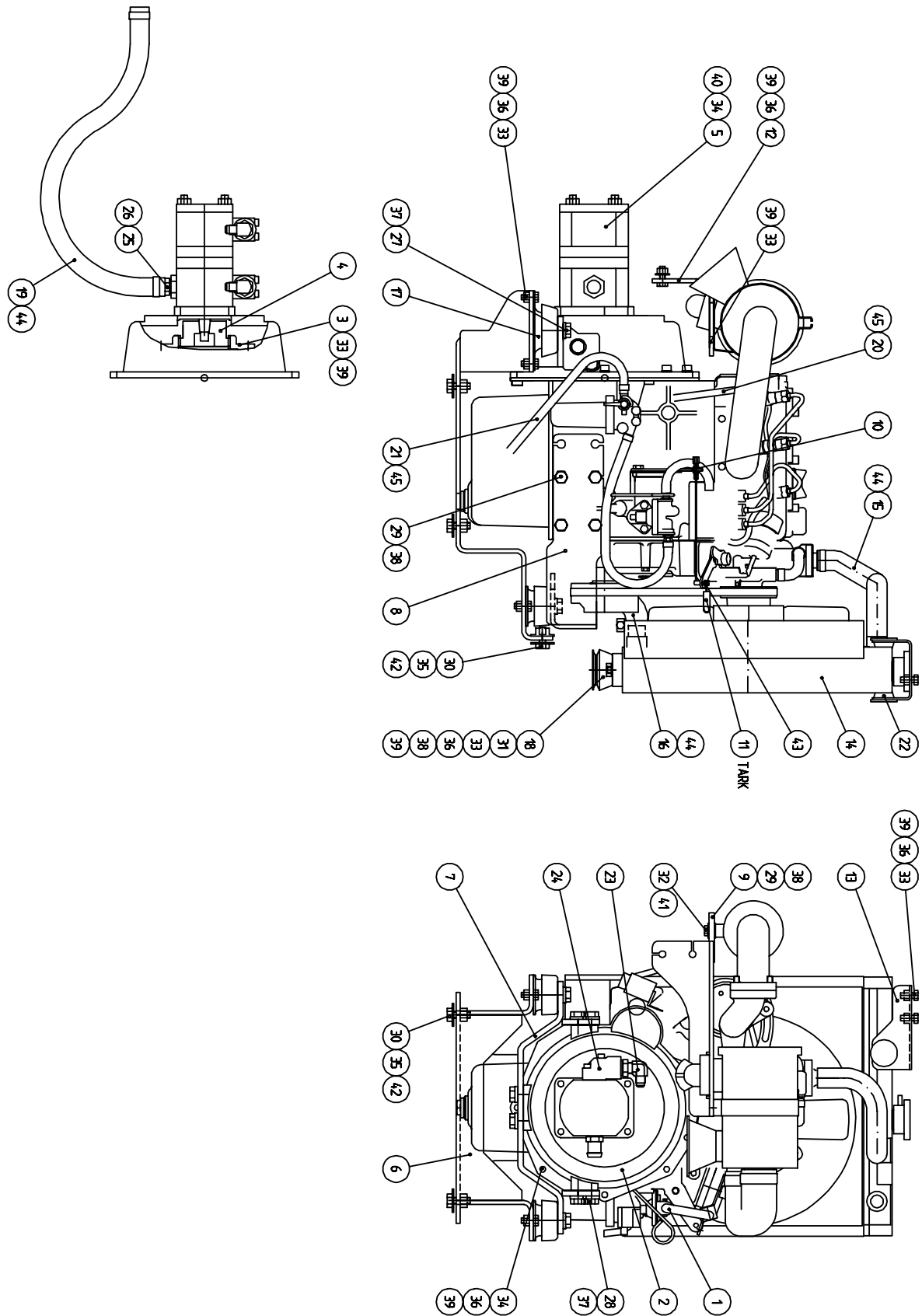
1	A2750	1	FRAME, ASSEMBLY, 320 DIESEL/320 PLUS
2	64106	1	SEAT PRAMA ART. 205SC
3	64120	1	WHEEL (TIRE+RIM) 23*8.50-12 TRACTOR PROFILE
4	A2487	2	LOADER BOOM, ASSEMBLY
5	73039	1	HEXAGONAL SCREW M8*16 DIN 933 ZN
6	73354	1	WASHER M8 DIN 126 ZN

FRAME, ASSEMBLY, 320 DIESEL / 320 PLUS A2750



FRAME, ASSEMBLY, 320 DIESEL / 320 PLUS			A2750
1	A2689	1	FRAME, ASSEMBLY
2	A43537	1	COVER PLATE, LEFT
3	A43538	1	COVER PLATE, RIGHT
4	A43480	1	CHAIN COVER, LEFT, ASSEMBLY
5	A43481	1	CHAIN COVER, RIGHT, ASSEMBLY
6	A43435	1	SUPPORT FRAME
7	A43298	1	COVER
8	A31564	1	COVER PLATE (BONNET)
9	A31510	1	TRANSMISSION, DRIVE, 320 PLUS/WHITE
10	A2712	1	ENGINE, ASSEMBLY, 320 DIESEL
11	A2749	1	HYDRAULICS, 320 DIESEL / 320 PLUS
12	A42530	1	THROTTLE PEDAL
13	A43118	1	BOTTOM PLATE, FRONT
14	A43462	1	BOTTOM PLATE, REAR
15	A43532	1	THROTTLE PEDAL LOCKING LEVER
16	A42897	2	COVER PLATE, WHEEL HUB, 2*110*144
17	A43530	1	FUEL TANK, 12.5 L
18	A31116	1	PARKING BRAKE, COMPLETE
19	A43181	1	SUPPORT LEVER
20	A31013	1	SEAT BASE
21	A43123	1	SEAT SUPPORT PLATE
22	A43149	1	BATTERY HOLDING PLATE
23	A43323	2	BATTERY SUPPORT CLAMP
24	A43431	1	SUPPORT
25	A31014	1	SEAT LOCKING HANDLE
26	A41867	1	PIVOT PIN, SEAT
27	A31542	1	FINGER PROTECTING COVER
28	A43432	1	SCREW ROD
29	A41952	2	HINGE LOOP, WELDING ASSEMBLY
30	A43466	2	SEAL PLATE, REAR
31	A43465	2	SEAL PLATE, FRONT
32	A1247	1	WIRE HARNESS, 40A, KUBOTA / 320 DIESEL
33	64199	1	BATTERY 12V 48AH
34	74411	1	HEXAGONAL PLUG HF 3/8"
35	72151	1	HEXAGONAL SCREW M10*30 DIN 933 ZN
36	73039	30	HEXAGONAL SCREW M8*16 DIN 933 ZN
37	72116	4	HEXAGONAL SCREW M6*12 DIN 933 ZN
38	A43541	1	RUBBER WASHER F60 S=10
39	72322	4	HEXAGONAL NUT M10 DIN 985 NYLOC
40	72321	1	HEXAGONAL NUT M10 DIN 934
41	72320	10	HEXAGONAL NUT M8 DIN 985 NYLOC
42	74423	1	WASHER (M10) 11 DIN 226
43	73354	30	WASHER M8 DIN 125 ZN
44	72317	2	HEXAGONAL NUT M6 DIN 934
45	74450	1	BOX NUT M8 DIN 1587 ZN
46	A3958	1	DIPSTICK-BREATHER
47	73356	1	WASHER M12 DIN 126 ZN
48	71725	1	RING SPLINT 4,5 MM

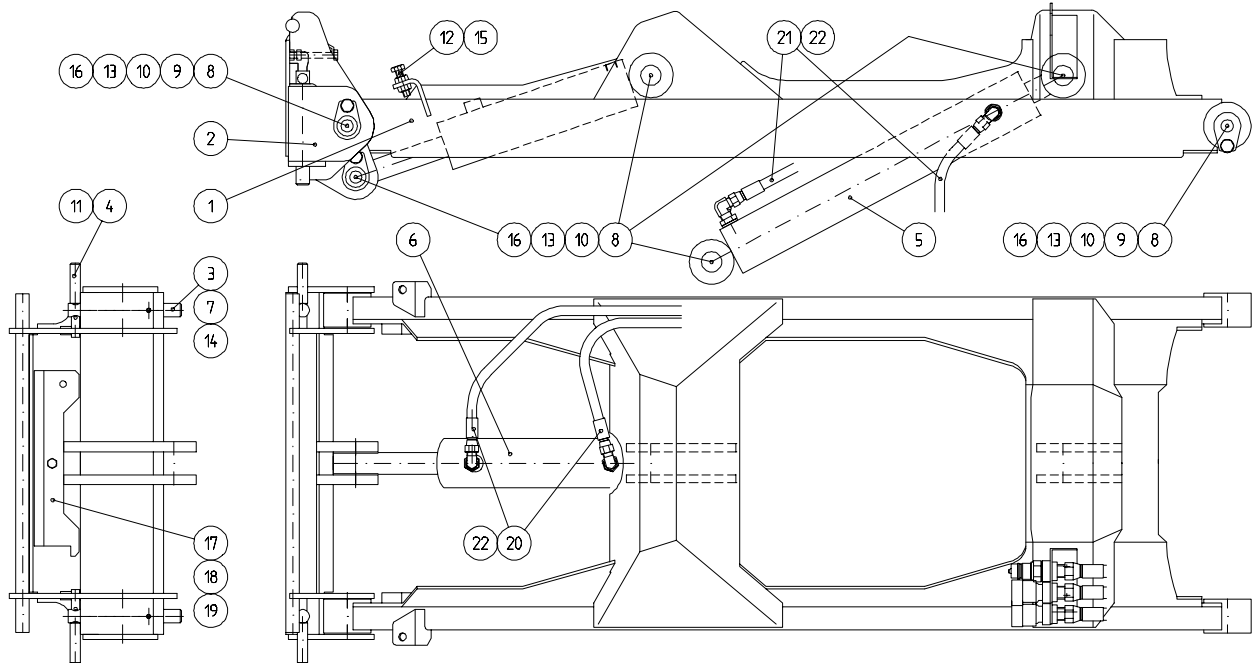
ENGINE, ASSEMBLY, 320 / 320 PLUS D A2712



ENGINE, ASSEMBLY, 320 / 320 PLUS, KUBOTA D722**A2712**

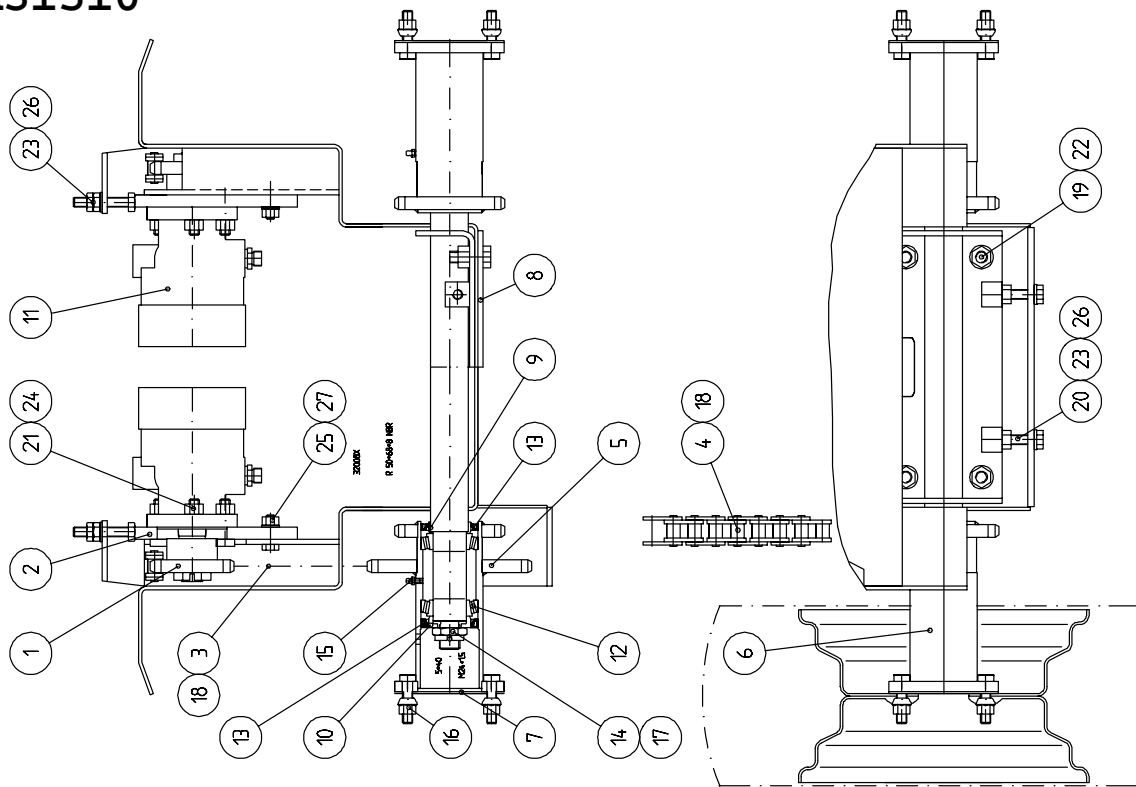
1	64409	1	ENGINE KUBOTA D722 20HP (12V 40A)
2	64374	1	COUPLING ENCLOSURE KUBOTA RECT.F80 72*100
3	64376	1	COUPLING BOWEX 48FLE-PA-F150 ENGINE SIDE
4	64378	1	COUPLING 48FLE 1:5 F17 TAPER, PUMP SIDE
5	64410	1	HYDRAULIC PUMP SIGMA 6.2 / 6.2
6	A43524	1	ENGINE CRADLE, ASSY, D722
7	A43522	1	ENGINE LIFTING FIXTURE, REAR
8	A43523	1	ENGINE LIFTING FIXTURE, FRONT
9	A43525	1	SUPPORT, EXHAUST PIPE Z482/D722
10	A42156	1	EAR, THROTTLE WIRE
11	A43527	1	RETRACTING SPRING, FOOT THROTTLE, L=45
12	A43147	1	HOLDER, AIR CLEANER
13	A43211	1	EAR, UPPER, RADIATOR
14	A43546	1	RADIATOR, COMBI, WATER-OIL, 392*403
15	A43152	1	WATER HOSE, UPPER
16	A43331	1	WATER HOSE, LOWER
17	63656	3	VIBRATION DAMPER 17-1600-1MN55
18	64291	2	VIBRATION DAMPER TREEFFE TFMC 82217-3
19	A43030	1	INLET HOSE øC20 L=800
20	A43031	1	FUEL HOSE, INLET, L=400
21	A43032	1	FUEL HOSE, RETURN, L=400
22			
23	64044	2	ELBOW FITTING 90° C40XS10-3/8
24	73747	2	PRESSURE FLANGE 1GQ38 (R3/8" AL)
25	64110	1	HOSE COUPLING R1/2"UK - 19 MM L=44
26	64172	1	REDUCER FITTING RI 3/4"-EDx 1/2"
27	73042	3	HEXAGONAL SCREW M12*35 DIN 933 ZN
28	72165	6	HEXAGONAL SCREW M12*20 DIN 933 ZN
29	73936	8	HEXAGONAL SCREW M10*1,25 - 25
30	72150	6	HEXAGONAL SCREW M10*25 DIN 933 ZN
31	72147	2	HEXAGONAL SCREW M10*16 DIN 933 ZN
32	72132	1	HEXAGONAL SCREW M8*25 DIN 933 ZN
33	72130	15	HEXAGONAL SCREW M8*20 DIN 933 ZN
34	73100	10	HEXAGONAL HEAD SCREW M8*30 DIN 912
35	72322	6	HEXAGONAL NUT M10 DIN 985 NYLOC
36	72320	16	HEXAGONAL NUT M8 DIN 985 NYLOC
37	73613	6	WASHER M12 A12 DIN 127 ZN
38	73612	8	WASHER M10 A10 DIN 127 ZN
39	73962	25	WASHER M8 A8 DIN 127 ZN
40	71683	4	WASHER M8 A8,4 DIN 6798 ZN
41	71685	2	WASHER M8 R9 DIN 440 ZN
42	73018	6	WASHER M10 R11 DIN 440 ZN
43	74415	1	SCREW NIPPLE 128.244 S&N
44	73530	5	HOSE CLAMP, 22-32 MM ZN
45	74405	4	HOSE CLAMP, MINABA-13

LOADER BOOM STD. A31832



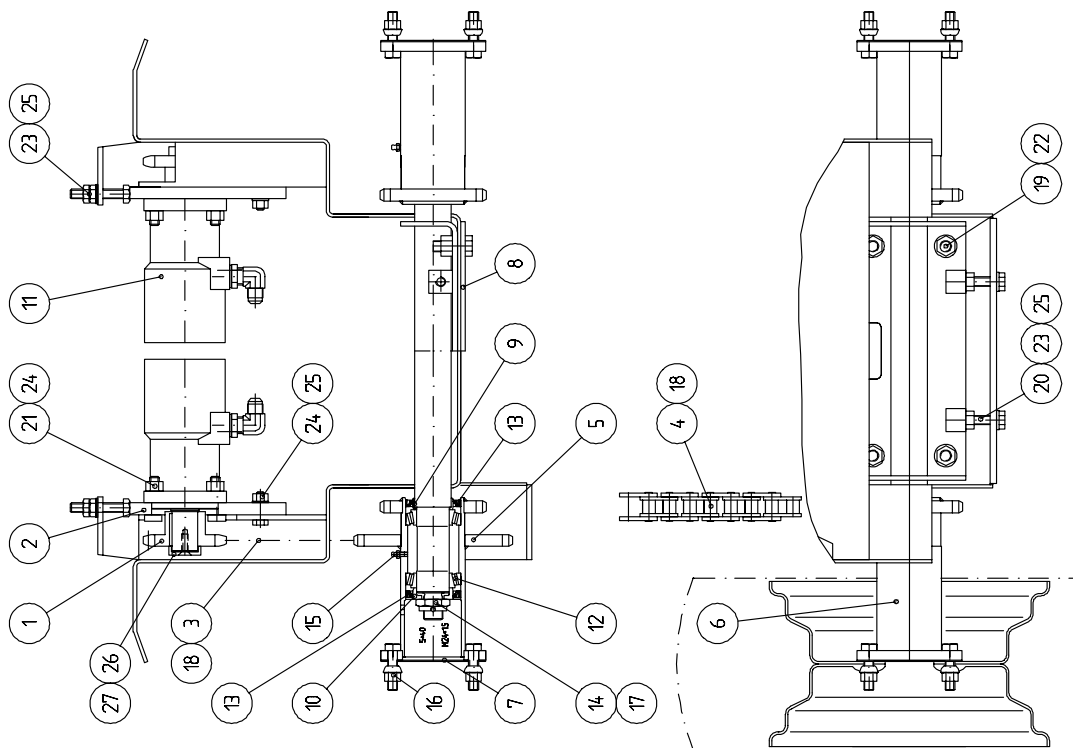
1	A31636	1	LOADER BOOM, ASSEMBLY
2	A31831	1	ATTACHMENT COUPLING PLATE
3	A43935	2	LOCKING PIN F20
4	A43936	2	LATCH PIN
5	A43673	1	HYDR. CYLINDER F63/F32*360 LMIN=590
6	A43672	1	HYDR. CYLINDER F63/F32*150 LMIN=380
7	64061	2	COMPRESSION SPRING SS2387 2,5*25*118
8	A43565	8	PIVOT PIN
9	64048	4	SLIDE BEARING GSM-3034-40
10	72798	8	GREASE NIPPLE R 1/8" STRAIGHT
11	73661	2	SPRING COTTER 5* 30 DIN 1481
12	73488	2	HEXAGONAL SCREW M10* 60 DIN 933 ZN
13	72147	8	HEXAGONAL SCREW M10* 16 DIN 933 ZN
14	71880	2	HEXAGONAL HEAD SCREW M 6* 25 DIN 912
15	72321	4	HEXAGONAL NUT M10 DIN 934 ZN
16	74531	8	WASHER, PAIR, M10 NL10 NORDLOCK
17	A43948	1	SERVICE SUPPORT, BOOM CYLINDER
18	74520	1	HEXAGONAL SCREW M 8* 70 DIN 933 ZN
19	72319	1	HEXAGONAL NUT M 8 DIN 934 ZN
20	A42909	2	HYDRAULIC HOSE L=2100 R1AT-04
21	A42908	2	HYDRAULIC HOSE L=980 R1AT-04
22	64044	4	ELBOW FITTING 90° C40XS10-3/8

TRANSMISSION, DRIVE, 320 PLUS/WHITE A31510



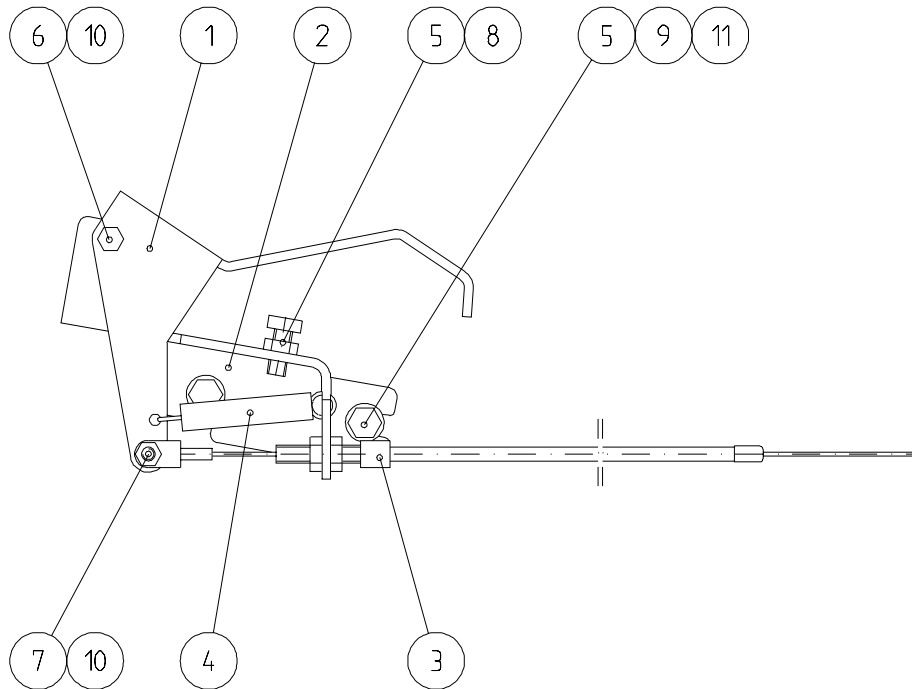
1	A43101	2	CHAIN WHEEL, PRIMARY 1", Z=11
2	A43300	2	CARRIER, ASSEMBLY
3	A43547	2	CHAIN, TRANSMISSION, PRIMARY 16B1 - 1041
4	A4434	2	CHAIN, TRANSMISSION, SECOND. 16B1 -1854,2
5	A43302	2	WHEEL HUB, BACK, ASSY
6	A43301	2	WHEEL HUB, FRONT, ASSY
7	A43146	4	SPACER, BETWEEN HUB AND RIM
8	A41608	1	COUNTERPLATE FE52C 6*195*324
9	A43155	4	SLIDE RING
10	A43156	4	SUPPORT RING
11	64229	2	HYDRAULIC MOTOR WHITE RE-121903
12	64391	8	CONICAL ROLLER BEARING 32008X
13	64390	8	GASKET BA50-68-8 72NBR902
14	74541	4	HEXAGONAL NUT M24*1,5 DIN 985 NYLOC
15	72799	4	GREASE NIPPLE M6 STRAIGHT
16	73743	16	WHEEL NUT M12*1,5 DIN 7431-A12-8
18	73606	4	CHAIN CONNECTING LINK 16B-1 1" STRAIGHT
19	72184	4	HEXAGONAL SCREW M14*40 DIN 933 ZN
20	73389	2	HEXAGONAL SCREW M12*60 DIN 933 ZN
21	72171	8	HEXAGONAL SCREW M12*45 DIN 931
22	72327	4	HEXAGONAL NUT M14 DIN 985 NYLOC
23	72323	6	HEXAGONAL NUT M12 DIN 934
24	72324	8	HEXAGONAL NUT M12 DIN 985 NYLOC
25	72322	6	HEXAGONAL NUT M10 DIN 985 NYLOC
26	73356	4	WASHER M12 14 DIN 126 ZN
27	73121	6	WASHER M10 A10,5 DIN 125 ZN

TRANSMISSION, DRIVE, 320 DIESEL A31599



1	A43577	2	CHAIN WHEEL, PRIMARY, ARS200, Z=11
2	A43548	2	CARRIER, ARS200, ASSY
3	A43547	2	CHAIN, TRANSMISSION, PRIMARY 16B1 - 1041
4	A4434	2	CHAIN, TRANSMISSION, SECOND. 16B1 -1854,2
5	A43302	2	WHEEL HUB, BACK, ASSY
6	A43301	2	WHEEL HUB, FRONT, ASSY
7	A43146	4	SPACER, BETWEEN HUB AND RIM
8	A41608	1	COUNTERPLATE FE52C 6*195*324
9	A43155	4	SLIDE RING
10	A43156	4	SUPPORT RING
11	64277	2	HYDRAULIC MOTOR SAM ARS200 NC 32
12	64391	8	CONICAL ROLLER BEARING 32008X
13	64390	8	GASKET BA50-68-8 72NBR902
14	74541	4	HEXAGONAL NUT M24*1,5 DIN 985 NYLOC
15	72799	4	GREASE NIPPLE M6 STRAIGHT
16	73743	16	WHEEL NUT M12*1,5 DIN 7431-A12-8
18	73606	4	CHAIN CONNECTING LINK 16B-1 1" STRAIGHT
19	72184	4	HEXAGONAL SCREW M14*40 DIN 933 ZN
20	73389	2	HEXAGONAL SCREW M12*60 DIN 933 ZN
21	72171	8	HEXAGONAL SCREW M12*45 DIN 931
22	72327	4	HEXAGONAL NUT M14 DIN 985 NYLOC
23	72323	6	HEXAGONAL NUT M12 DIN 934
24	72324	14	HEXAGONAL NUT M12 DIN 985 NYLOC
25	73356	10	WASHER M12 14 DIN 126 ZN
26	A43578	2	RETAINING WASHER
27	72052	2	COUNTERSUNK HEAD SCREW M8*20

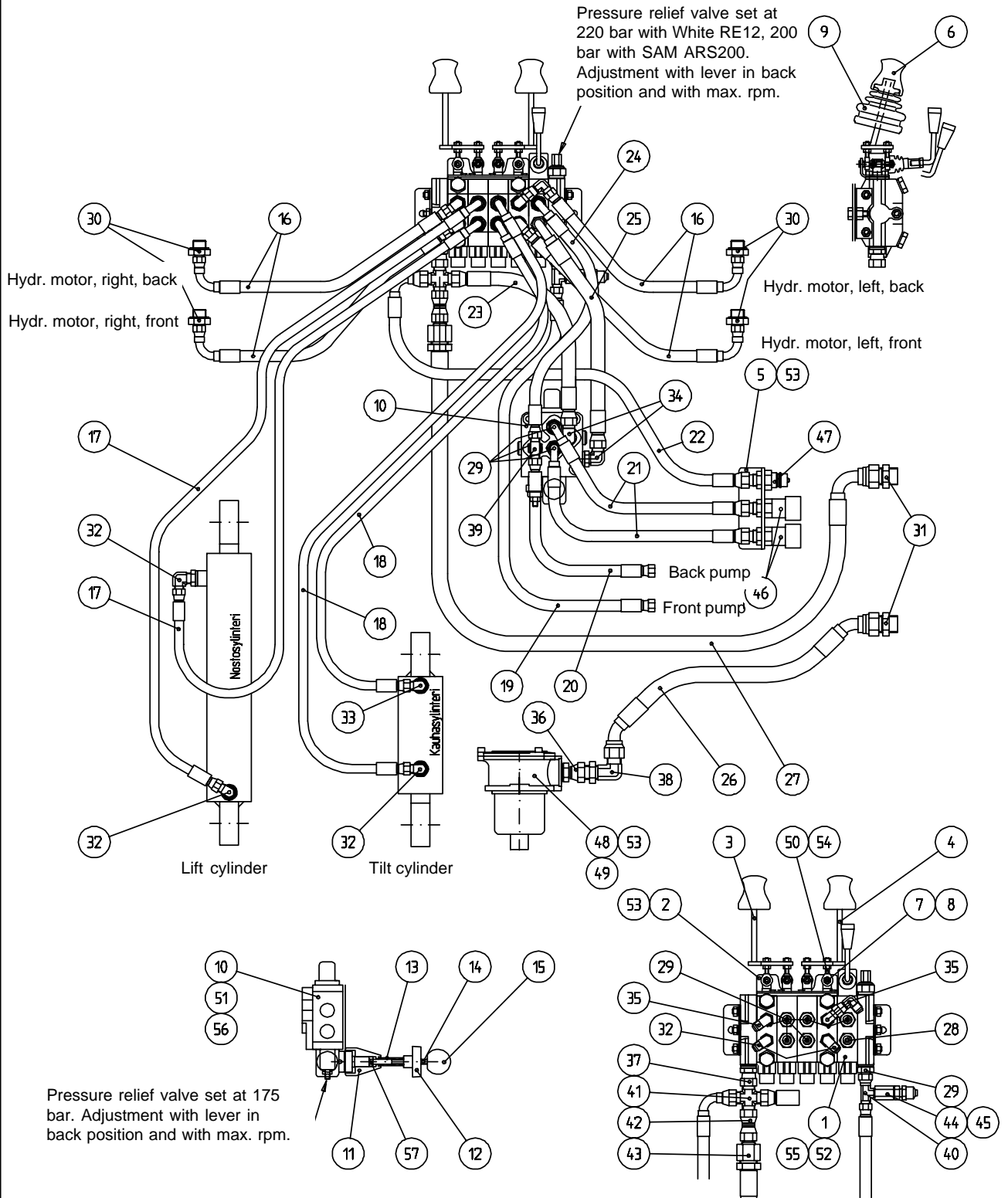
FOOT THROTTLE, ASSEMBLY A42530



1	A42528	1	THROTTLE PEDAL
2	A42529	1	THROTTLE PEDAL FRAME, ASSEMBLY
3	A42531	1	THROTTLE WIRE L=100/1450 1,5 MM
4	64257	1	SPRING SF-DF 1,2*12*60 (N=33) F0=7N
5	72130	3	HEXAGONAL SCREW M8*20 DIN 933 ZN
6	72127	1	HEXAGONAL SCREW M6*90 DIN 931
7	72118	1	HEXAGONAL SCREW M6*20 DIN 933
8	72319	1	HEXAGONAL NUT M8 DIN 934
9	72320	2	HEXAGONAL NUT M8 DIN 985 NYLOC
10	72318	2	HEXAGONAL NUT M6 DIN 985 NYLOC
11	73355	2	WASHER M6 6,6 DIN 126 ZN

HYDRAULICS, ASSEMBLY, 320 / 320 PLUS

A2749



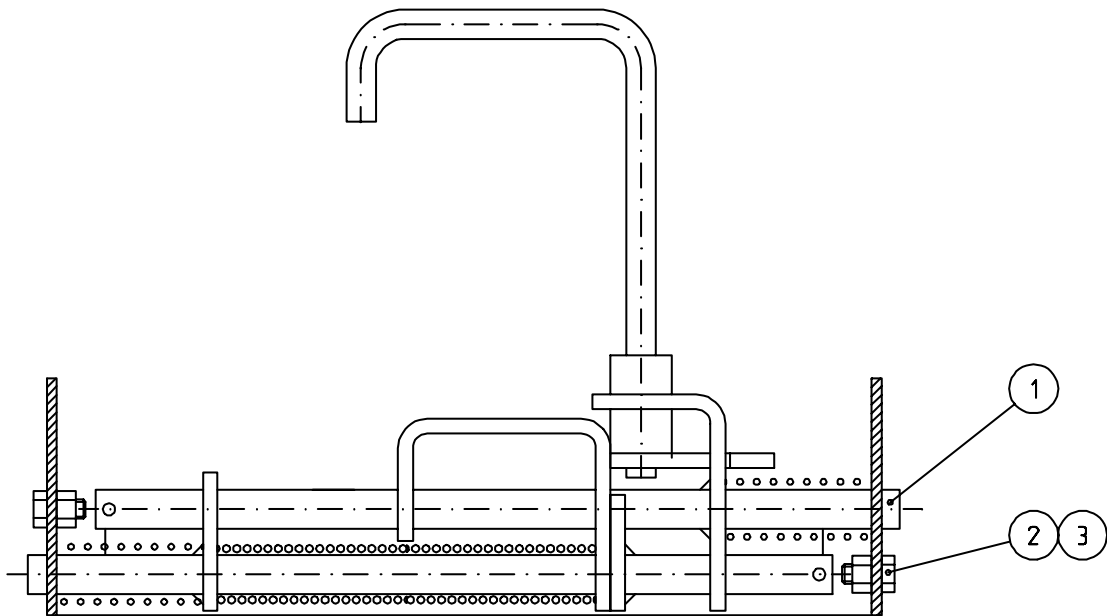
HYDRAULICS, ASSEMBLY, 320 / 320 PLUS

A2749

1	64361	1	CONTROL VALVE HIDROIRMA HDS 10/5 320
2	A3951	1	CONTROL LEVER FRAME
3	A3953	1	CONTROL LEVER, RIGHT
4	A3952	1	CONTROL LEVER, LEFT
5	A41666	1	QUICK COUPLING SUPPORT FOR 3 COUPLINGS
6	A43484	2	KNOB
7	A41821	4	CONTROL LEVER PIN
8	A41822	8	LEVER NUT M6
9	74327	2	RUBBER COVER F12/56*40 32053
10	64063	1	DIRECTIONAL VALVE CASAPPA VCD 20/1(200)
11	A43561	1	LOCKING BUSHING, EXTERNAL HYDR. LEVER
12	64188	1	FINGER SREW R5026M8S
13	64289	1	PRESSURE SPRING SF-TF 2*9*40
14	A43562	1	CONTROL LEVER, EXTERNAL HYDR. F8-122
15	72624	1	BALL KNOB M8 C 40 BAKELITE
16	A41645	4	HYDRAULIC HOSE L=1400
17	A41656	2	HYDRAULIC HOSE L=720
18	A41657	2	HYDRAULIC HOSE L=3100
19	A41653	1	HYDRAULIC HOSE L=1430
20	A41891	1	HYDRAULIC HOSE L=1150
21	A41890	2	HYDRAULIC HOSE L=1400
22	A41953	1	HYDRAULIC HOSE L=1950
23	A41951	1	HYDRAULIC HOSE L=370
24	A41831	1	HYDRAULIC HOSE L=400
25	A41830	1	HYDRAULIC HOSE L=400
26	A42389	1	HYDRAULIC HOSE L=1420
27	A42390	1	HYDRAULIC HOSE L=2200
28	64042	1	BASIC FITTING F40XS12-3/8"
29	64041	12	BASIC FITTING F40XS10-3/8"
30	64040	4	BASIC FITTING F40XS10-1/2"
31	64099	2	BASIC FITTING F40XS18-3/4"
32	64044	6	ELBOW FITTING 90° C40XS10-3/8"
33	64111	1	ELBOW FITTING 90° COA-10-3/8"
34	64068	2	ELBOW FITTING 90° C40XS12-3/8"
35	64043	3	ELBOW FITTING 90° C6XS10
36	64154	1	CONNECTOR NIPPLE F64XS16-1/2"
37	64082	1	CONNECTOR NIPPLE F64XS12-3/8"
38	64155	1	LEAD-THROUGH ELBOW FITTING WETX-WLNS 16
39	64070	1	THREADED T FITTING BODY S6SX10
40	64078	1	L FITTING BODY R6XS10
41	64083	1	CROSS FITTING KTXS12
42	64159	1	NIPPLE O 1829

43	64101	1	REDUCER TRTXS18-12
44	64195	1	TEST FITTING TT4XS10-1/4"
45	64196	1	MANOMETER FITTING M16*2 - R1/4" OUTS.THREAD
46	64190	2	QUICK COUPLER, FEMALE 1/2" 2V54-T5X4
47	64189	1	QUICK COUPLER, MALE 1/2" 4V14-T5X4
48	73750	1	HYDRAULIC OIL FILTER, COMPLETE, OMTF65-20
49	74093	1	FILTER CARTRIDGE CR65-20 (FT-6/P20)
50	63690	6	JOINT ARM ASAHI JAM 6
51	72139	3	HEXAGONAL SCREW M8*60 DIN 931 ZN
52	72150	2	HEXAGONAL SCREW M10*25 DIN 933 ZN
53	71884	4	HEXAGONAL HEAD SCREW M8*25 DIN 912
54	73766	4	HEXAGONAL HEAD SCREW M6*16 DIN 912
55	72322	2	HEXAGONAL NUT M10 DIN 985 NYLOC
56	72320	1	HEXAGONAL NUT M8 DIN 985 NYLOC
57	72319	1	HEXAGONAL NUT M8 DIN 934

PARKING BRAKE A31116



1	A3948	1	PARKING BRAKE ASSEMBLY
2	73039	2	HEXAGONAL SCREW M8*16 DIN 933 ZN
3	72320	2	HEXAGONAL NUT M8 DIN 985 NYLOC